



THE FREE FRIDAY PATTERN

Yarn: Bibi by Borgo de' Pazzi Firenze

Poncho Cactus

by Romina Giana

Romina Giana - romygiana71@gmail.com

*It is a simple process, knitted in the round.
It is worked Top down, starting from the neck: the work is divided into 4 parts to obtain
a raglan like a sweater, and continuing just to reach the necessary shoulders width,
then continuing in moss stitch without increasing.*

SIZE:

M/L girl

MATERIAL:

- YARN: 600g Bibi by Borgo de' Pazzi (200g = 140m) color 35
- Circular knitting needle 10 mm

STICHES:

Knit, Purl,

Moss Stitch:

Row 1: *knit 1 , purl 1 * , work from *-*.

Row 2: Knit over purl and purl over knit.



INSTRUCTIONS:

Cast on 38 stitches with circular needle size 10 mm. Join in the round.

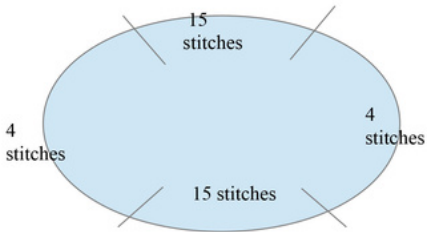
Knit 2 rounds

- rnd 3°: * knit 2 – purl 2 * , work from * to *.

- rnd 4° to rnd 14° as rnd 3° .

- rnd 15° : knit

- rnd 16°: knit 15 stitches, insert 1 marker, knit 4 stitches insert 1 marker, knit 15 stitches, insert 1 marker, knit 4 stitches insert 1 marker.

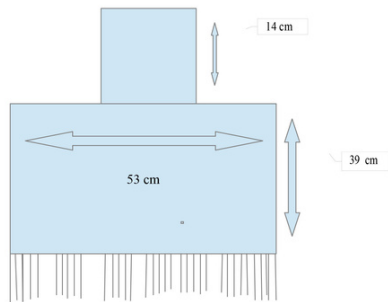


- rnd 17° moss stitch increasing 1 stitches before marker, 1 stitches after marker

Continue the next rnds, working the increases until you reach the width for the shoulders (approximately 53 cm).

Continue in moss stitch in the round until you reach cm. 39 ht.





When the desired height is reached, bind off the sts.

Use the elastic bind-off as follows:

Knit 2 stitches together Through back loop (tbl, pass the worked st onto left needle,

knit two stitches together Through back of loop (tbl) again.

(Do not knit too tight, in order to knit an elastic bind-off).

Once the closure has been completed, attach the fringes: cut 5 threads (12 cm length), fold them in half and insert them to the edge of the poncho with a crochet hook, making a knot. Proceed along the entire edge.

